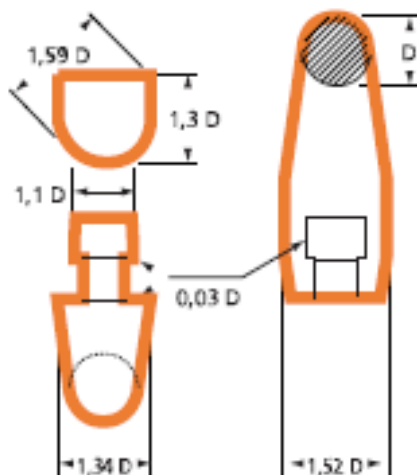
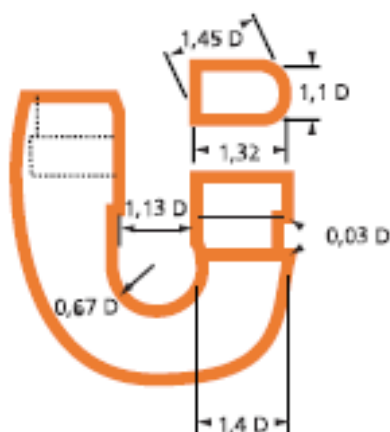
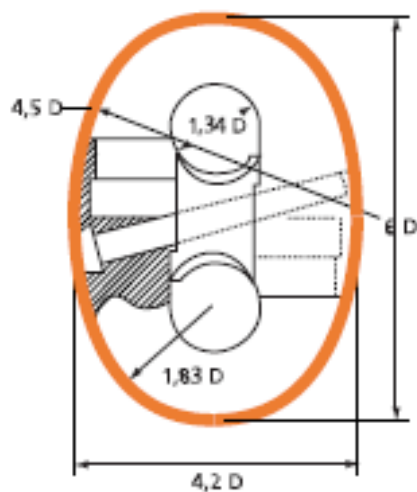




# Kenter Joining Shackle – Ship Chain





Dia	Stud Link	Stud Link	Common Link	Enlarged Link	End Link	Joining Kenter Shaokle	Anchor Shaokle Type D	Swivel Swivel	Swivel Shaokle Type A	Swivel Fore runner
mm	Kg / m	/ 27.5 m	Kgs	Kgs	Kgs	Kgs	Kgs	Kgs	Kgs	Kgs
12.5	3.5	96	0.17	0.23	0.23	0.39	1.1	0.9	-	1.76
14	4.4	121	0.24	0.32	0.36	0.51	1.3	1.3	-	2.52
16	5.8	160	0.36	0.50	0.51	0.62	1.6	1.7	-	3.57
17.5	7.0	193	0.47	0.74	0.68	0.82	2.0	2.1	-	4.73
19	8.1	223	0.60	0.88	0.89	1.00	2.5	2.5	9.0	5.75
20.5	10.0	275	0.75	1.10	1.13	1.35	3.3	3.1	11.3	7.18
22	11.1	305	0.93	1.25	1.28	1.6	4.0	3.5	13.9	8.21
24	13.3	366	1.21	1.70	1.77	2.0	5.0	5.0	18.1	11.38
26	15.7	432	1.55	2.15	2.20	2.7	6.0	6.0	23.9	14.05
28	18.3	503	1.9	2.8	2.9	3.3	8.0	7.5	29.6	17.90
30	21.0	578	2.4	3.2	3.3	3.9	9.5	9.0	35.4	21.1
32	23.9	657	2.9	3.9	4.0	4.6	12.0	11.0	44.6	25.7
34	27.0	743	3.4	4.7	5.0	5.8	14.0	13.5	53.7	31.3
36	30.2	831	4.0	5.5	5.9	6.6	17.0	16.0	62.9	36.9
38	33.7	927	4.7	6.1	6.8	7.8	20.0	19.0	71.9	42.7
40	37.1	1020	5.5	7.1	8.0	9.1	23.0	23.0	85.9	50.7
42	40.5	1114	6.4	8.4	9.6	10.5	26.0	27.0	100.0	59.8
44	44.3	1218	7.4	10.0	11.2	12.2	29.0	32.0	114.0	70.6
46	48.5	1334	8.5	11.5	13.0	14.0	33	37.0	128.0	81.5
48	52.8	1452	9.8	13.1	15.0	16.0	37	44.0	147.5	95.0
50	57.0	1568	11	15.0	17.0	18.0	41	57.0	167.0	115
52	62.0	1705	13	17.0	20.0	20.0	45	57.0	186.5	124
54	66.0	1815	14	19.0	22.0	20.0	50	67.0	206.0	141
56	71.0	1953	16	21.0	23.0	24.0	54	67.0	232.5	148
58	77.0	2118	17	23.0	25.0	28.0	65	80.0	259.0	168
60	83.0	2283	19	25.0	27.0	28.0	70	95.0	285.5	191
62	88.0	2420	21	28.0	30.0	33.0	78	95.0	312.0	202
64	94.0	2585	23	31.0	34.0	38.0	82	112.0	345.0	231
66	100.0	2750	25	34.0	38.0	38.0	94	130.0	378.7	261
68	107.0	2943	27	37.0	42.0	44.0	101	130.0	412.0	273
70	114.0	3135	30	40.0	45.0	44.0	108	152.0	451.2	307
73	124.0	3410	34	45.0	52.0	51.0	124	172.0	510.0	348
76	135.0	3713	39	50.0	59.0	58.0	141	194.0	575.0	392
78	142.0	3905	42	55.0	63.0	65.0	150	194.0	623.4	409
81	154.0	4235	46	61.0	70.0	74.0	171	220.0	696.0	458
84	166.0	4565	52	68.0	78.0	84.0	193	242.0	776.0	508
87	178.0	4895	58	75.0	86.0	94.0	218	270.0	867.5	564
90	189.0	5198	64	82.0	95.0	105.0	243	300.0	959.0	623
92	199.0	5473	68	88.0	100.0	105.0	256	325.0	1020.0	669
95	211.0	5803	75	98.0	112.0	115.0	290	350.0	1123.0	733
97	220.0	6050	80	102.0	120.0	135.0	305	350.0	1196.0	754
100	234.0	6435	88	112.0	130.0	150.0	335	385.0	1310.0	827
102	243.0	6683	93	120.0	138.0	150.0	350	420.0	1397.3	891
107	266.0	7315	109	140.0	158.0	175.0	410	495.0	1615.5	1042
111	287.0	7893	120	160.0	175.0	200.0	445	535.0	1792.0	1150
114	304.0	8360	130	173.0	193.0	225.0	475	570.0	1959.1	1239
117	317.0	8718	142	185.0	210.0	225.0	505	610.0	2126.1	1332
122	345.0	9488	160	210.0	235.0	267.0	550	650.0	2404.6	1465
127	375.0	10313	182	235.0	260.0	315.0	600	720.0	2683.0	1632
132	400.0	11000	205	260.0	305.0	370.0	675	760.0	3095.4	1790
137	436.0	11990	230	285.0	330.0	390.0	750	900.0	3507.9	2030
142	467.0	12843	255	325.0	375.0	450.0	900	1100.0	3920.3	2380
147	489.0	13723	280	395.0	410.0	505.0	1055	1200.0	4332.7	2680
152	535.0	14713	310	410.0	460.0	545.0	1200	1400.0	4745.1	2990
157	570.0	15675	345	455.0	510.0	605.0	1340	1550.0	5157.6	3315
162	610.0	16775	375	500.0	560.0	660.0	1450	1700.0	5570.0	3635

Strong Rope Sp. z o.o.  
 Słoneczna Str. 38-1  
 PL 72-100 Białun  
 NIP: 856-19-39-204  
 VAT: PL8561939204

Email : [strongrope24@gmail.com](mailto:strongrope24@gmail.com)  
[www.strong-rope.pl](http://www.strong-rope.pl)  
 Tel. +48 696902709 (Piotr) / Tel.+49 1624250537 (Karol)