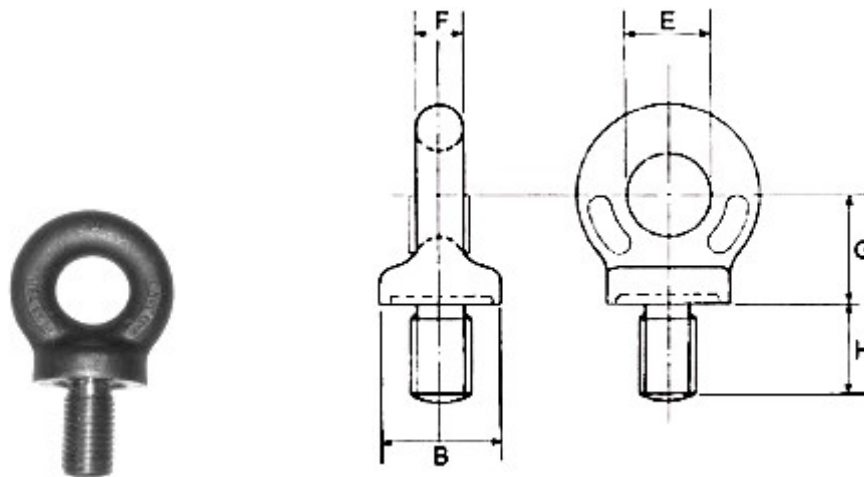




## Uszy nośne SR-BSW (gwint calowy BSW)



Thread Size (in.)	SWL (tonne)	B (mm)	E (mm)	F (mm)	G (mm)	H (mm)	Weight Each (kg)
3/8	0.25	22	15	9	20	18	0.08
1/2	0.50	29	20	12	26	23	0.14
5/8	0.90	36	24	14	32	28	0.38
3/4	1.40	45	30	18	40	35	0.60
7/8	2.00	52	35	21	46	40	0.78
1	2.75	58	39	23	52	46	1.67
1-1/8	3.50	65	44	26	58	51	1.78
1-1/4	4.50	72	48	29	64	56	2.24
1-1/2	6.50	81	54	32	72	63	3.17
1-3/4	9.00	101	68	40	90	79	6.00
2	12.00	115	76	46	102	89	9.00
2-1/4	15.00	128	86	51	114	100	15.00
2-1/2	20.00	144	96	58	128	112	18.20
3	30.00	172	114	67	153	133	30.40

Gwint Whitworth-BSW

Wyprodukowane wg. Normy ISO3266 / BS4278

Strong Rope Sp. z o.o.  
 Słoneczna Str. 36-1  
 PL 72-100 Białuń  
 NIP: 856-19-39-204  
 VAT: PL8561939204

Email : [strongrope24@gmail.com](mailto:strongrope24@gmail.com)  
[www.strong-rope.pl](http://www.strong-rope.pl)  
 Tel. +48 696902709 (Piotr) / Tel.+49 1624250537 (Karol)